

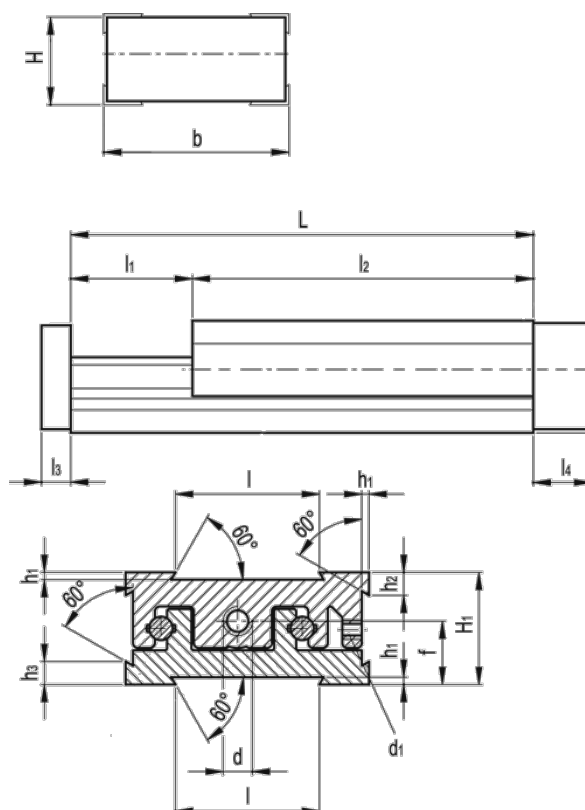
Data Sheet



Article number: 20782023

Description: Adjustable slide unit
GN 900-80-220-100-S-1

Measures



| | |
|-------------------|----------------------|
| $b = 80$ | $h3 = 10.0$ |
| $d = M8 \times 1$ | $l = 50$ |
| $d1 = M5$ | $L - l1 = 220 - 100$ |
| $f = 20.5$ | $l2 = 120$ |
| $H = 35.5$ | $l3 = 8$ |
| $h1 = 2.0$ | $l4 = 16$ |
| $H1 = 36$ | |
| $h2 = 10.0$ | |